

ULW SERIES
85°C Long Life (8000 hours)
◆FEATURES

- Load Life : 85°C 8000 hours.
- RoHS compliance.


◆SPECIFICATIONS

Items	Characteristics								
Category Temperature Range	-25~+85°C								
Rated Voltage Range	450~500Vdc								
Capacitance Tolerance	±20% (20°C, 120Hz)								
Leakage Current(MAX)	$I=3\sqrt{CV}$ (After 5 minutes application of rated voltage) I =Leakage Current(μ A) C =Capacitance(μ F) V =Rated Voltage(Vdc)								
(tan δ) Dissipation Factor(MAX)	<table border="1"> <thead> <tr> <th>Rated Voltage (Vdc)</th> <th>450</th> <th>500</th> <th>(20°C, 120Hz)</th> </tr> </thead> <tbody> <tr> <td>tanδ</td> <td>0.20</td> <td>0.24</td> <td></td> </tr> </tbody> </table>	Rated Voltage (Vdc)	450	500	(20°C, 120Hz)	tan δ	0.20	0.24	
Rated Voltage (Vdc)	450	500	(20°C, 120Hz)						
tan δ	0.20	0.24							
Endurance	After applying rated voltage with rated ripple current for 8000 hours at 85°C, the capacitors shall meet the following requirements. <table border="1"> <tbody> <tr> <td>Capacitance Change</td> <td>Within ±20% of the initial value.</td> </tr> <tr> <td>Dissipation Factor</td> <td>Not more than 200% of the specified value.</td> </tr> <tr> <td>Leakage Current</td> <td>Not more than the specified value.</td> </tr> </tbody> </table>	Capacitance Change	Within ±20% of the initial value.	Dissipation Factor	Not more than 200% of the specified value.	Leakage Current	Not more than the specified value.		
Capacitance Change	Within ±20% of the initial value.								
Dissipation Factor	Not more than 200% of the specified value.								
Leakage Current	Not more than the specified value.								
Low Temperature Stability Impedance Ratio(MAX)	<table border="1"> <thead> <tr> <th>Rated Voltage (Vdc)</th> <th>450~500</th> <th>(120Hz)</th> </tr> </thead> <tbody> <tr> <td>$Z(-25^{\circ}\text{C})/Z(20^{\circ}\text{C})$</td> <td>8</td> <td></td> </tr> </tbody> </table>	Rated Voltage (Vdc)	450~500	(120Hz)	$Z(-25^{\circ}\text{C})/Z(20^{\circ}\text{C})$	8			
Rated Voltage (Vdc)	450~500	(120Hz)							
$Z(-25^{\circ}\text{C})/Z(20^{\circ}\text{C})$	8								

◆MULTIPLIER FOR RIPPLE CURRENT

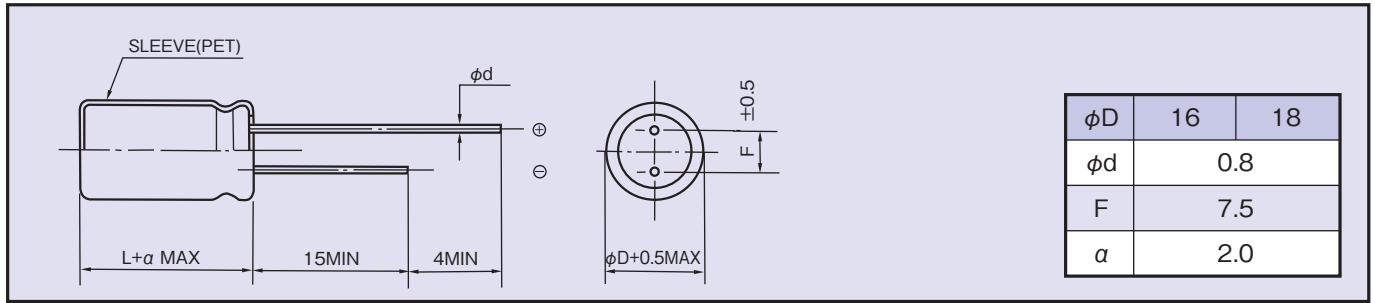
Frequency (Hz)	60(50)	120	500	1k	10k	50k \leq
Coefficient	0.80	1.00	1.25	1.40	1.50	2.00

◆PART NUMBER

□□□	ULW	□□□	M	□□□	□□	DXL
Rated Voltage	Series	Capacitance	Capacitance Tolerance	Option	Lead Forming	Case Size

◆ DIMENSIONS

(mm)



◆ STANDARD SIZE

Rated Voltage (Vdc)	Capacitance (μF)	Size $\phi D \times L$ (mm)	Rated Ripple Current (A r.m.s./85°C, 120Hz)
450	68	16×30	0.55
	68	18×30	0.56
	82	16×35	0.63
	82	18×31.5	0.63
	100	16×45	0.80
	100	18×35	0.72
	120	16×50	0.86
	120	18×40	0.84
500	150	16×50	0.92
	47	16×30	0.37
	56	16×35	0.42
	68	16×40	0.49
	82	16×45	0.56
	100	16×50	0.70